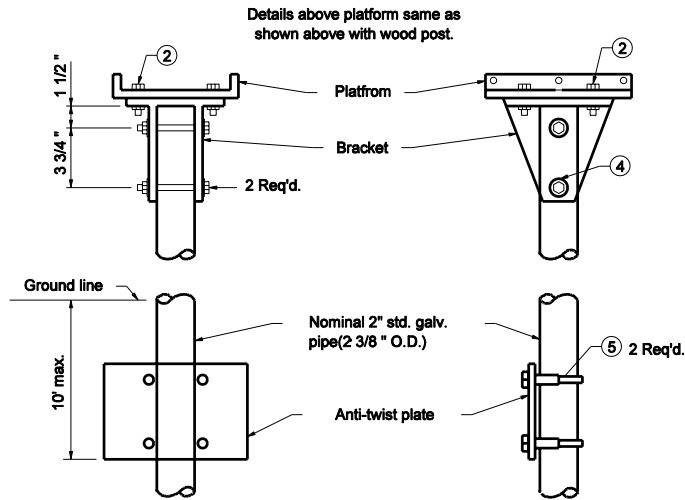


WITH WOOD POST

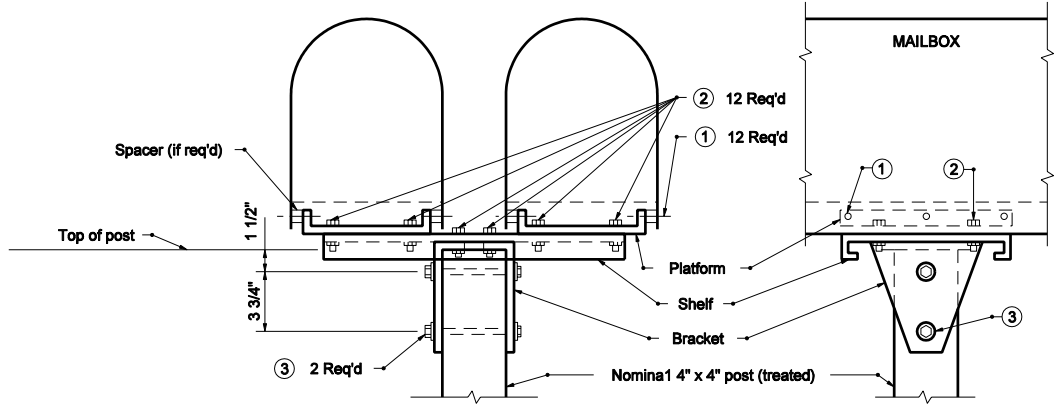


WITH PIPE POST

LEGEND

- ① #8-32 x "L" truss head machine screw with two #8 flat washers, #8 lock washers, and #8 hex nut.
- ② 5/16"-18 x 3/4" hex cap screw with two 5/16" flat washers, 5/16" lock washer and 5/16" hex nut.
- ③ 5/16"-18 x 4 1/2" hex cap screw with two 5/16" flat washers, 5/16" lock washer, and 5/16" hex nut.
- ④ 5/16"-18 x 3" hex cap screw with two 5/16" flat washers, 5/16" lock washer, and 5/16" hex nut.
- ⑤ Nominal 2 3/4" muffer clamp
- ⑥ For platform, bracket, shelf, spacer and anti-twist plate details, see Standard Drawing E 611-MBAS-03.

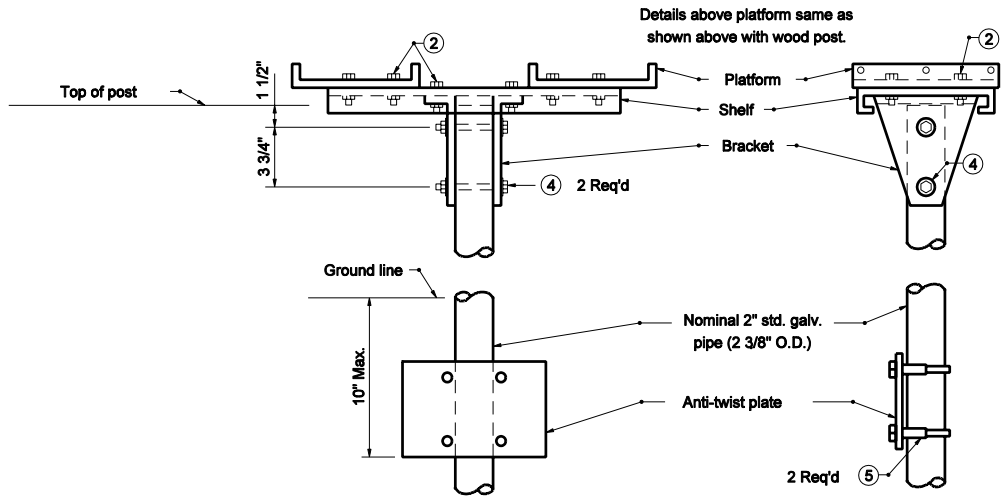
INDIANA DEPARTMENT OF TRANSPORTATION	
SINGLE MAILBOX ASSEMBLY	
MARCH 2005	
STANDARD DRAWING NO. E 611-MBAS-01	
	<i>/s/ Richard L. VanCleave</i> 3-01-05 DESIGN STANDARDS ENGINEER DATE
	<i>/s/ Richard K. Smutzer</i> 3-01-05 CHIEF HIGHWAY ENGINEER DATE
DESIGN STANDARDS ENGINEER	



LEGEND

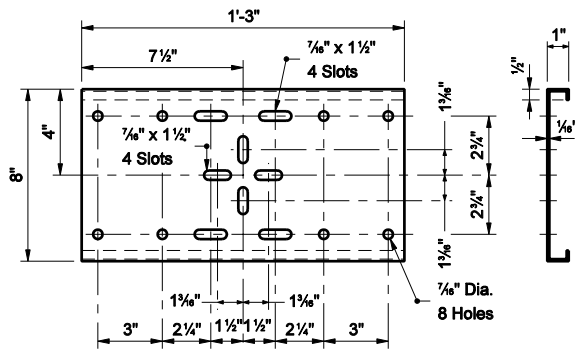
- ① #8-32 x "L" truss head machine screw with two #8 flat washers, #8 lock washers, and #8 hex nut.
- ② 5/16"-18 x 3/4" hex cap screw with two 5/16" flat washers, 5/16" lock washer and 5/16" hex nut.
- ③ 5/16"-18 x 4 1/2" hex cap screw with two 5/16" flat washers, 5/16" lock washer, and 5/16" hex nut.
- ④ 5/16"-18 x 3" hex cap screw with two 5/16" flat washers, 5/16" lock washer, and 5/16" hex nut.
- ⑤ Nominal 2 3/4" muffler clamp
- ⑥ For platform, bracket, shelf, spacer and anti-twist plate details, see Standard Drawing E 611-MBAS-03.

WITH WOOD POST

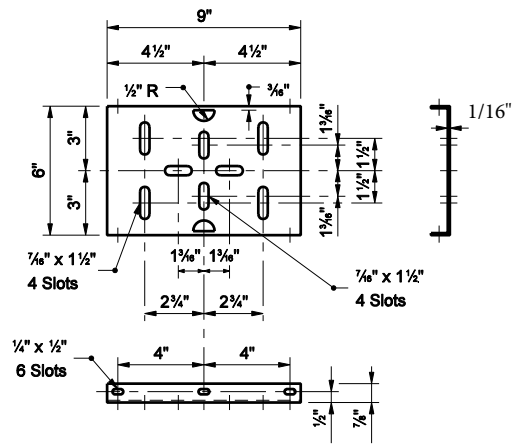


WITH PIPE POST

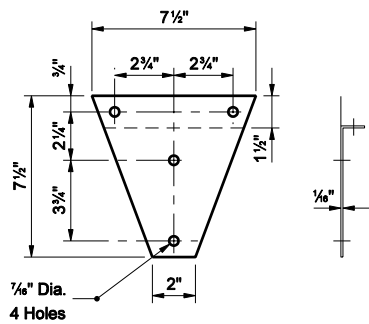
INDIANA DEPARTMENT OF TRANSPORTATION	
DOUBLE MAILBOX ASSEMBLY	
MARCH 2005	
STANDARD DRAWING NO. E 611-MBAS-02	
	<i>/s/ Richard L. VanCleave</i> 3-01-05 DESIGN STANDARDS ENGINEER DATE
	<i>/s/ Richard K. Smutzer</i> 3-01-05 CHIEF HIGHWAY ENGINEER DATE
DESIGN STANDARDS ENGINEER	



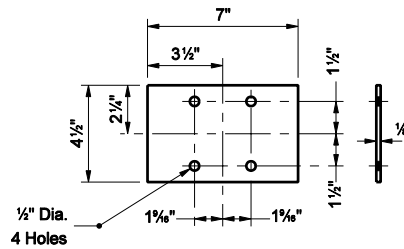
SHELF



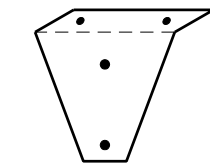
PLATFORM



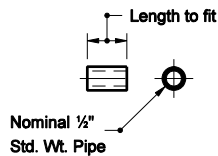
BRACKET



ANTI-TWIST PLATE



**FINISHED BRACKET
ISOMETRIC**



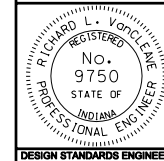
SPACER

INDIANA DEPARTMENT OF TRANSPORTATION

MAILBOX SUPPORT HARDWARE

MARCH 2005

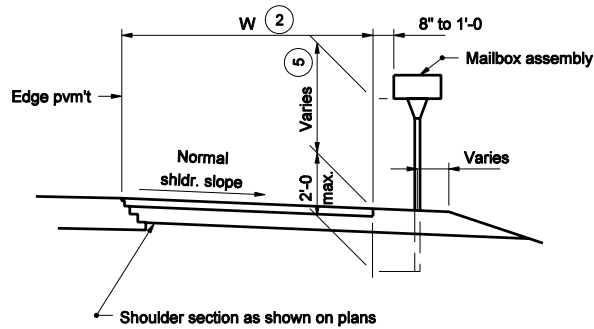
STANDARD DRAWING NO. E 611-MBAS-03



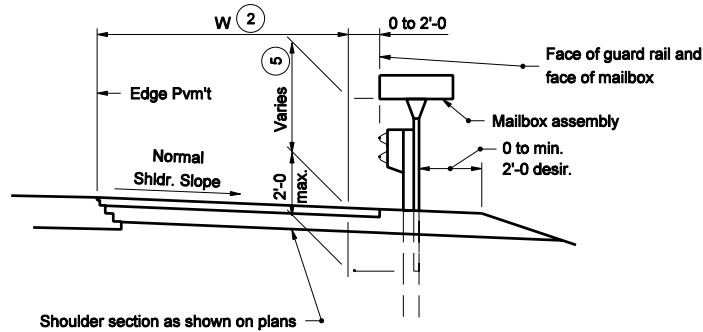
/s/ Richard L. VanCleave 3-01-05
DESIGN STANDARDS ENGINEER DATE

/s/ Richard K. Smutzer 3-01-05
CHIEF HIGHWAY ENGINEER DATE

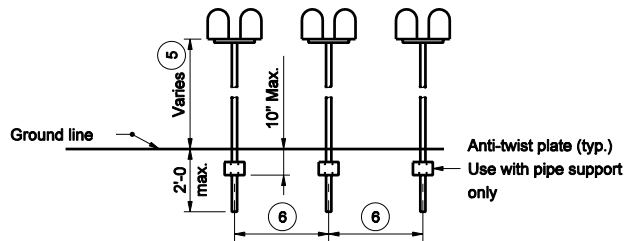
DESIGN STANDARDS ENGINEER



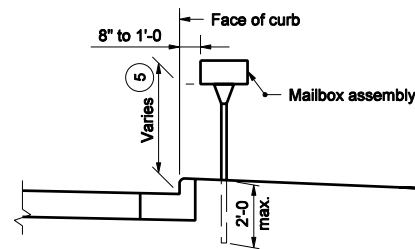
NORMAL SHOULDER SECTION



SHOULDER SECTION WITH GUARDRAIL



SPACING FOR MULTIPLE POST INSTALLATION



CURBED SECTION

GENERAL NOTES

- ② See plans for W
- ⑤ The normal height range is 3'-3 to 3'-11. Contact the local postmaster to establish appropriate installation height.
- ⑥ Established by the U.S. Postal Service, usually 3'-4 to 4'-0.

INDIANA DEPARTMENT OF TRANSPORTATION	
MAILBOX ASSEMBLIES ELEVATION VIEW	
MARCH 2005	
STANDARD DRAWING NO. E 611-MBAS-04	
	/s/ Richard L. VanCleave 3-01-05 DESIGN STANDARDS ENGINEER DATE
	/s/ Richard K. Smutzer 3-01-05 CHIEF HIGHWAY ENGINEER DATE
DESIGN STANDARDS ENGINEER	